

HSe

ELECTRONIC PUMP UNIT



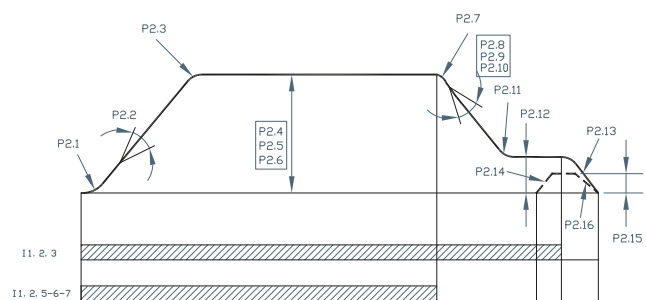
**START
ELEVATOR**
OLEODINAMIC COMPONENTS FOR LIFTS

ELECTRONIC CONTROL BOARD

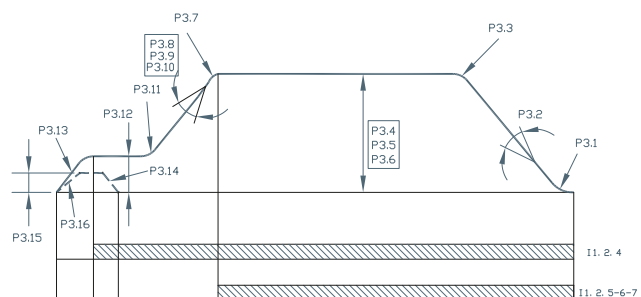
Parameter



in up direction



in down direction



Electronic Control Board

Possibility to connect the board to PC, USB, SD, WI-FI.

The Flow meter, pressure and temperature allows to operate with closed ring.

All the parameters are changeable by Pc, keyboard, smartphone or tablet.



START ELEVATOR APP

iOS / Android

Technical application for HSe
system management by WI-FI

HSe

ELECTRONIC PUMP UNIT

- **Amendment A3 integrated**
- **High comfort during the stroke**
- **Low noise**
- **Energy saving**
- **Controlled by a stepper motor**

Benefits

First class ride quality, fully independent of load and temperature:

- Compensated for temperature/pressure (load).
- Stabilized leveling speed achieved in shortest distance possible reducing heat generation.
- Controllable Up & Down speeds

Easy to install

- Valve programming after installation in minutes
- No mechanical adjustments needed
- No adjustment required (seasonal or otherwise)

Safe, robust and energy saving

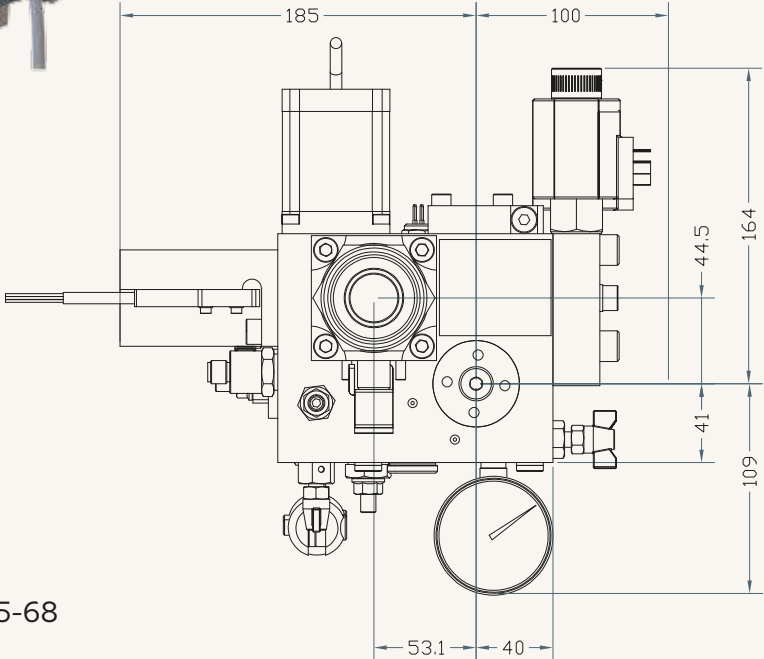
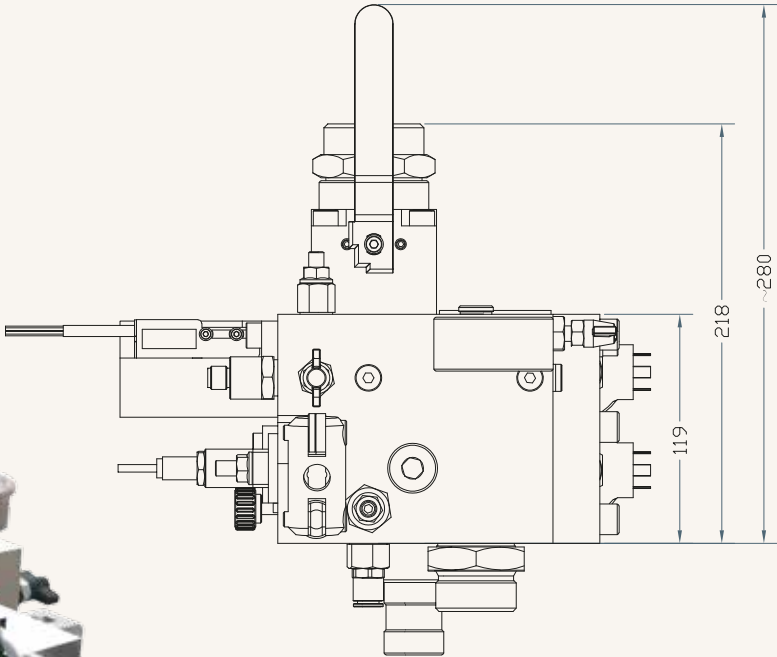
- Integrated over speed valve
- Reduced run times for a more efficient system
- Integrated Jack-side Filter
- Unintended Car Movement Protection Device (A3)

Premium plus features

- Wireless connection to IOS or Android system
- Integrated Hand pump
- Integrated Shut Off valve
- Pressure gauge with shut-off valve

ELECTRONIC PUMP UNIT HSe250

PATENTED



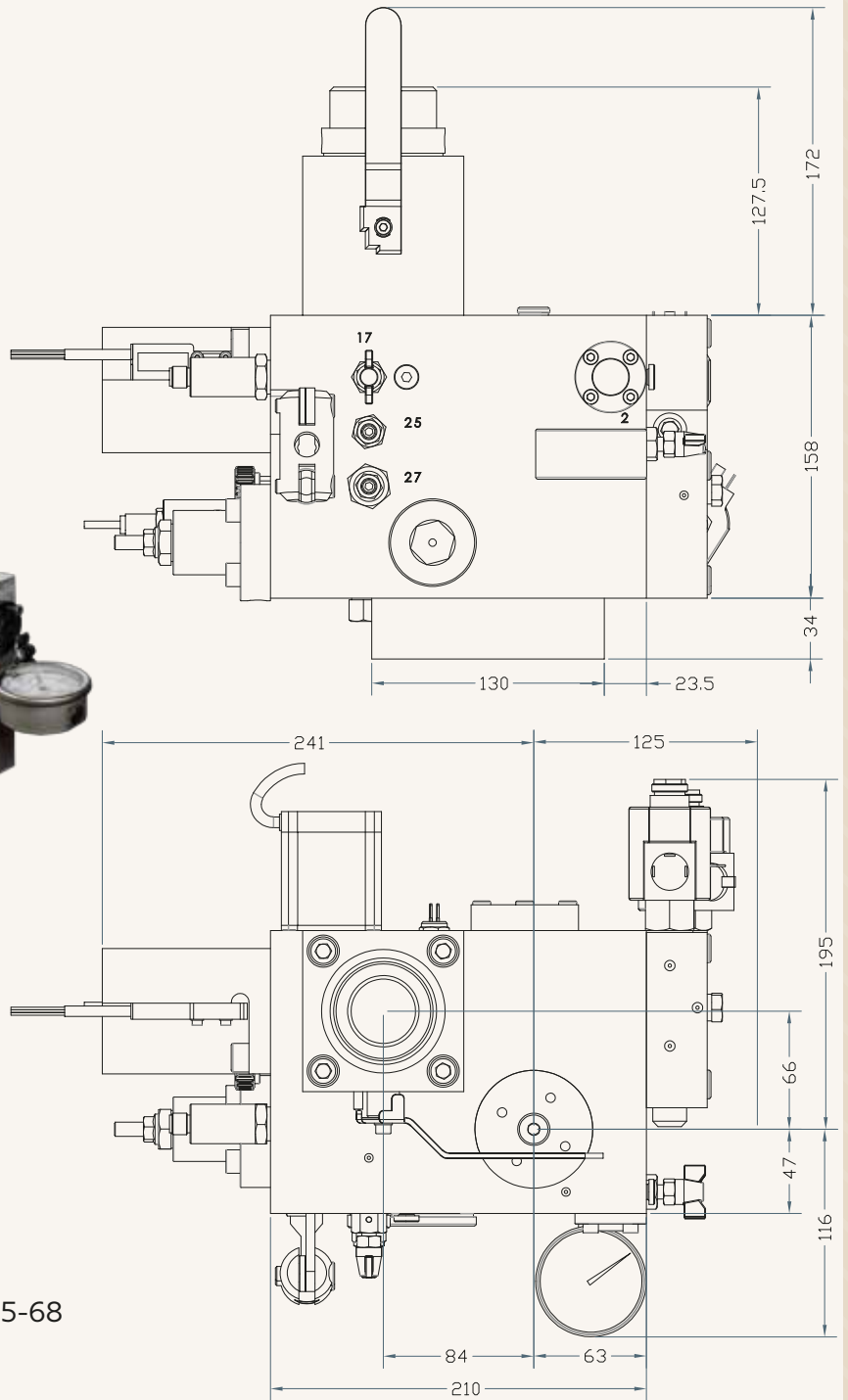
Alluminum body
Viscosity: cSt40°C - 25-68

Technical Characteristics

Type	Flow Range l/min	Temperature Range C°	Pressure Range bar
HSe250	20 - 250	10 - 60	10 - 45

ELECTRONIC PUMP UNIT HSe700

PATENTED



Alluminum body
Viscosity: cSt_{40°C} - 25-68

Technical Characteristics

Type	Flow Range l/min	Temperature Range C°	Pressure Range bar
HSe700	250 - 700	10 - 60	10 - 45



**START
ELEVATOR**
OLEODINAMIC COMPONENTS FOR LIFTS

START ELEVATOR SRL

29010 Incrociata di Calendasco (PC) - ITALIA
Tel. 0039 0523 771131 - 772774
Fax 0039 0523 771632

www.startelevator.it
startelevator@startelevator.it