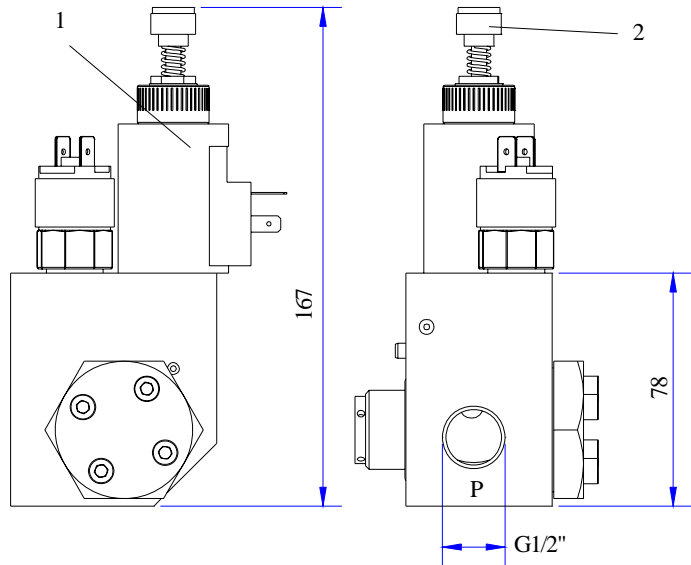


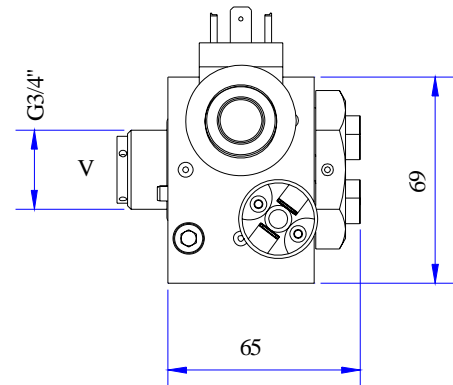
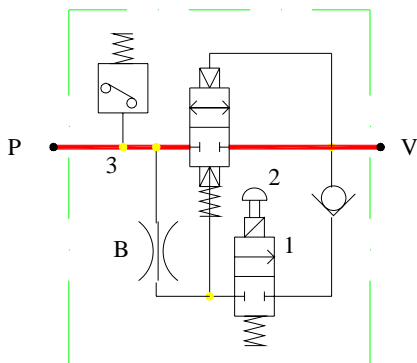
Type	Identificazione	Nominal Flow L/min min ÷ max	Static Pressure bar min ÷ max	Oil Viscosity cSt min ÷ max
1/2"	14208 00	4 ÷ 55	11 ÷ 80	14 ÷ 290

- 1 Solenoid valve 24 o 48/12 VCC - 45 W
- 2 Emergency downstroke pushbutton
- 3 Pressure switch conencion

B - Section of control of closing speed
P - To Piston
V - To pump unit



SCHEMATIC DIAGRAMM



USE INSTRUCTIONS

1. It is not necessary power on the DS device solenoid valve in upward phases, on the contrary, it must power on before (300-500 ms) and after (1-1,5 s) any downward manoeuvre.
2. If necessary, the DS solenoid valve must power on, in lift stop with door open, for the pressure measurement in the pump unit.
3. The power supply to DS solenoid valve must put off (DS device activation), with door open, when the controller recognizes a unintended car movement.
4. DS device must be activate before the cabin to go away 200 mm from floor level.

DS DEVICE CAN BE USED AS AN ELEMENT OF REDUNDANCY IN DOWN COMMANDS ON THE PUMP UNIT. IT PROVIDES AN AUTOMATIC MONITORING FUNCTION BY THE CONTROL PANEL.

**DS-1/2" DEVICE
FOR PROTECTION AGAINST
UNINTENDED CAR MOVEMENT**



Start Elevator

08 186 / G

rev. 0

1/1