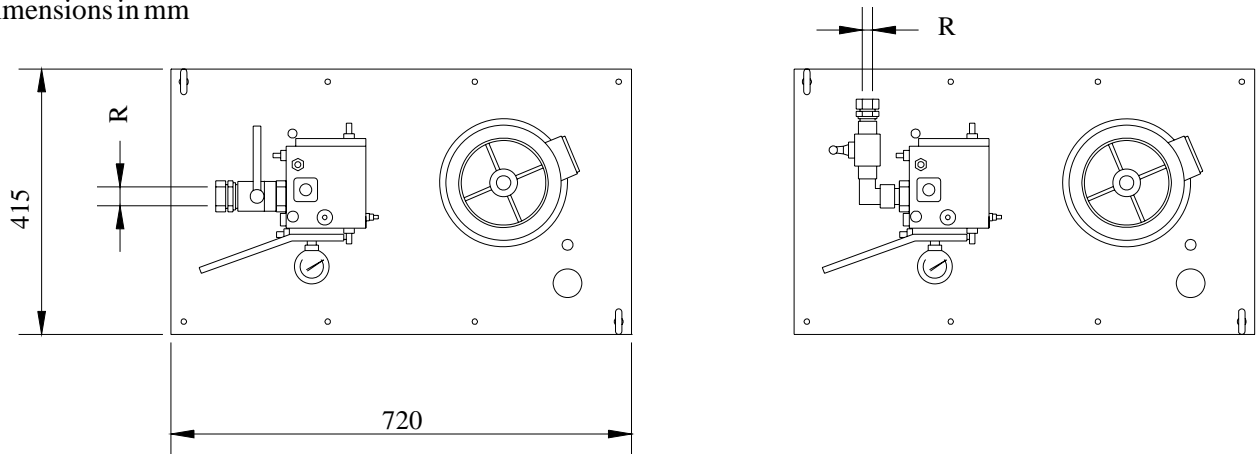


Dimensions in mm



Straight connection type

90° connection type

Tank Type	Pump Type [l/min]	Connector [mm - Gas]	CAPACITY [litri]		Weight [kg]
		R	Min. Level	Available	
01	8, 12	22 -G 3/8 -G 1/2 -G 3/4	30	40	60
	8, 12, 16 PROL	22 -G 3/8 -G 1/2 -G 3/4	17	53	
	25, 30, 35	22 -28 -G 3/4 -G1"	17	53	

**DIMENSIONS
PUMP UNIT
01/U**

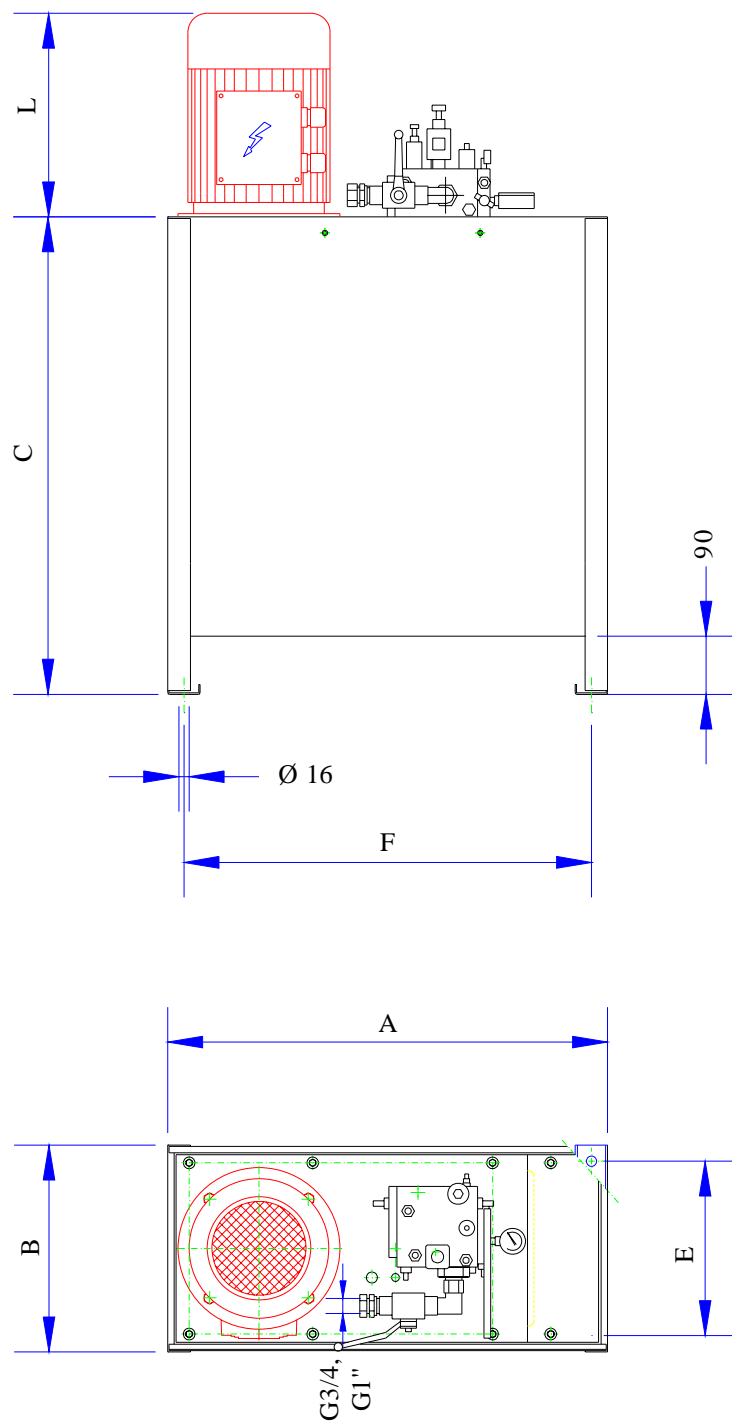


Start Elevator

07 211 / G

rev. 5

1/2



Quote in mm

Tank Type	Pump Type [l/min]	DIMENSIONS [mm]						CAPACITY [litres]		Weight [Kg]
		A	B	C	E	F	L	Min. Level	Available	
01SLAH	30-55 L/1'	680	320	615	270	630	300	25	66	75
01SLA	30-55 L/1'	680	320	775	270	630	300	25	100	80

**DIMENSIONS
PUMP UNIT
01/U - SLA**



Start Elevator

07 211 / G

rev. 5

2/2