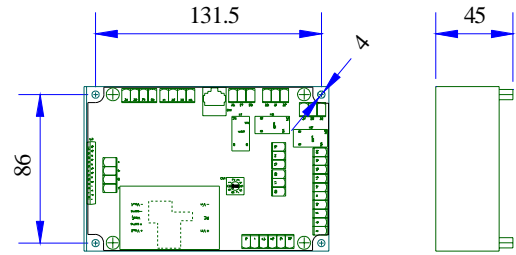
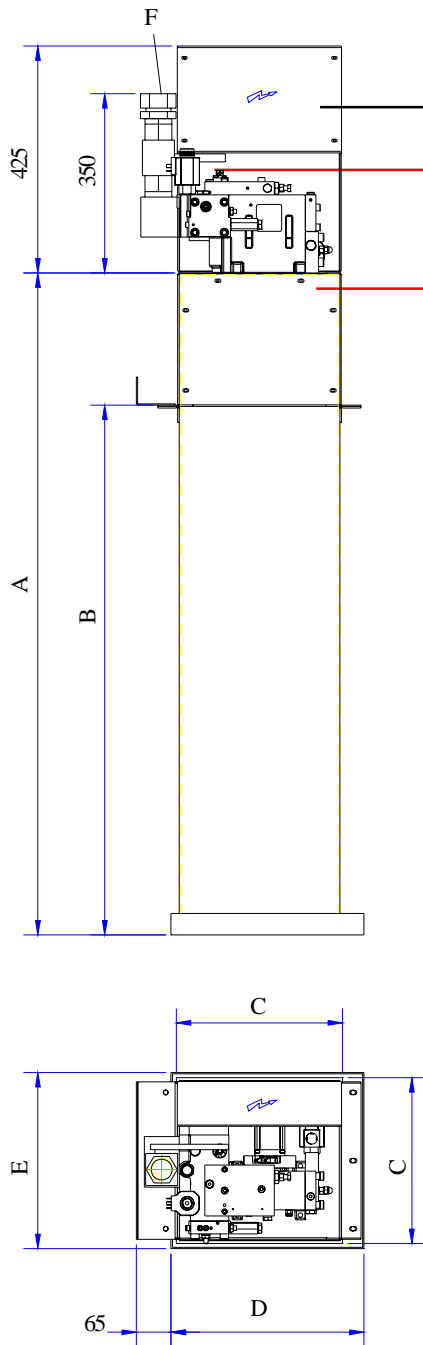
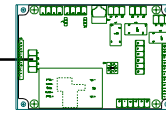


Dimensions [mm] MPD1 control board
(For connection to see data sheet 02160)

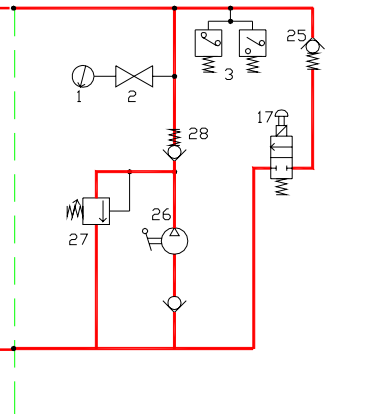


MPD1 control board



Max
5 mt.

Outlying emergency module
(Data sheet 02601)



- 1 Gauge
- 2 Gauge cut-out cock
- 3 (Pressure switches)
- 17 Emergency downstroke pushbutton (solenoid valve)
- 25 Emergency downstroke minimum pressure valve
- 26 Hand pump
- 27 Hand pump safety valve adjusting screw
- clockwise increase (+) - anticlockwise decrease (-)
- 28 Hand pump non-return valve

Tank Type	Pump Type [l/min]	DIMENSIONS [mm]						CAPACITY [litres]	
		A	B	C	D	E	F	Min. Level	Available
VN/01	55 - 150	1240	990	300	360	330	35 - G 1 1/4	35	34

**DIMENSIONS
PUMP UNIT
11/M - VN**



Start Elevator

02 602 / G

rev. 1

1/2

PISTON MAXIMAL TRAVEL [m] CORRESPONDING TO TANK TYPE				
PISTON TYPE	TANK TYPE			
	VN/01			
40	>15			
50	>15			
60	12,0			
70	8,8			
80	6,8			
90	5,3			
100	4,3			
110	3,6			
120	3,0			
130	2,6			
150	1,9			
180	1,3			
200	1,1			
238	0,8			
46/2	>15			
50/2	>15			
60/2	12,0			
77/2	7,3			
85/2	6,0			
103/2	4,1			
120/2	3,0			
141/2	2,2			
170/2	1,5			
205/2	1,0			
58/3	12,9			
75/3	7,7			
98/3	4,5			
107/3	3,8			
127/3	2,7			
150/3	1,9			
176/3	1,4			

**DIMENSIONS
PUMP UNIT
11/M - VN**



Start Elevator

02 602 / G

rev. 1

2/2