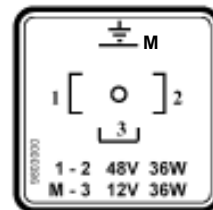


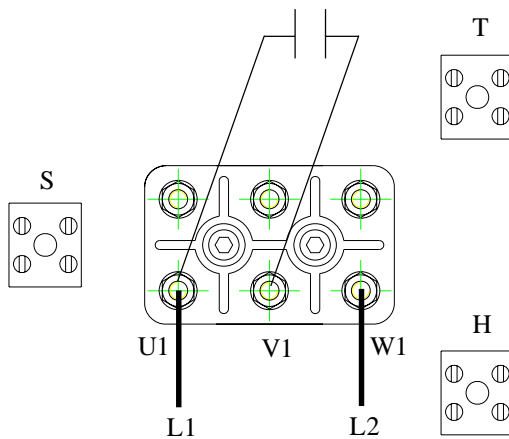
- 1a Downstroke coil 45W (direct connection to the solenoid valve)
- (1b) Downstroke coil 48/12 V cc 36 W (direct connection to the solenoid valve) >>
- 6 High speed coil 45W
- M Terminal board
- (H) Oil heater resistance 70W (without termostat)
- (S) Motorprotector
- (T) Oil termostat 70°C opening



MOTORCONNECTION

Connect the line input in accordance with the original motor terminal board configuration :

SINGLEPHASE



THREE PHASE

