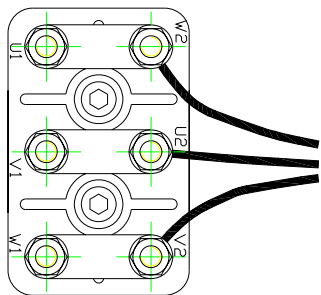


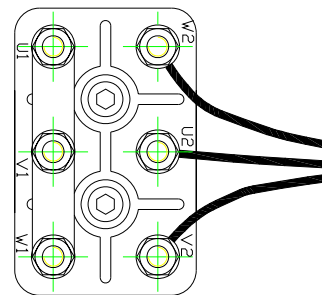
LINE

$\lambda \Delta$  CONNECTION



LINE

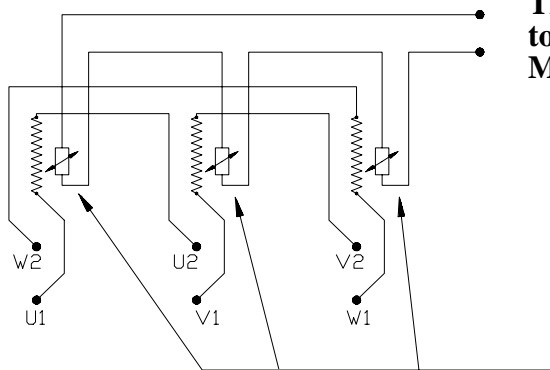
$\Delta$  CONNECTION



LINE

$\lambda$  CONNECTION

MOTORELECTRICAL DIAGRAM



Thermistors terminals (S)  
to be connected to the amplifier  
MAX VOLTAGE 2.5 V

**ELECTRICAL CONNECTION**  
**PUMP UNIT**  
**11/M - SL**

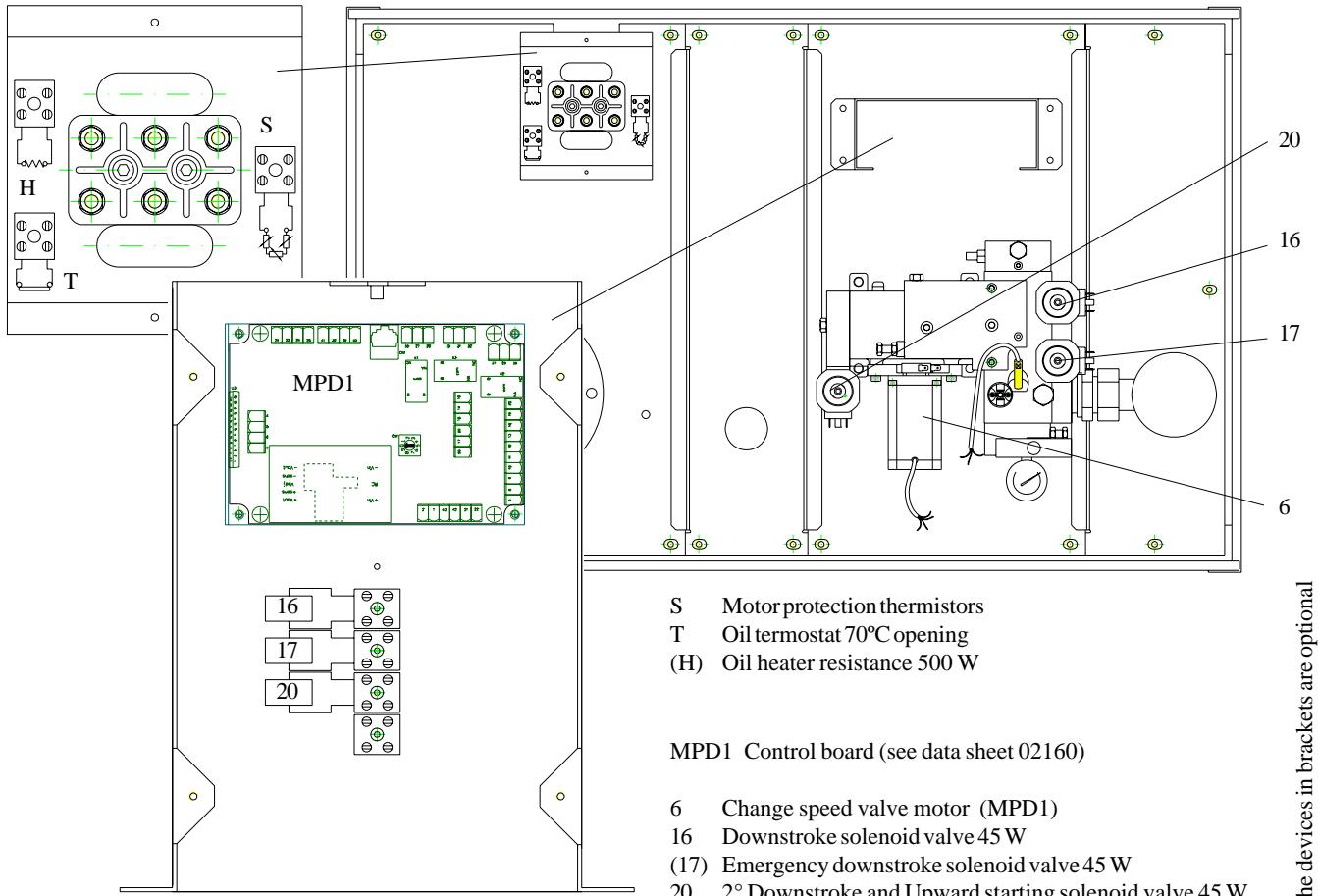


**Start Elevator**

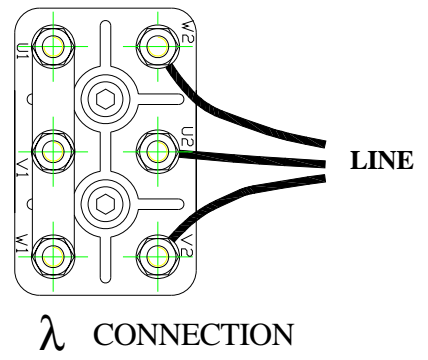
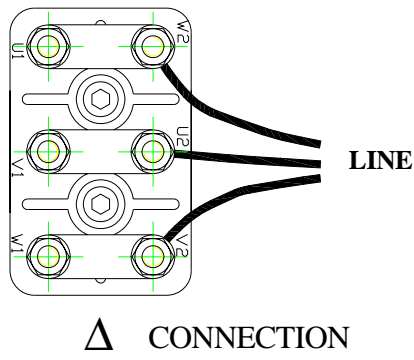
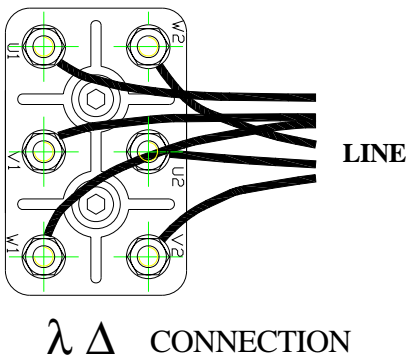
**02 162 / G**

**rev. 1**

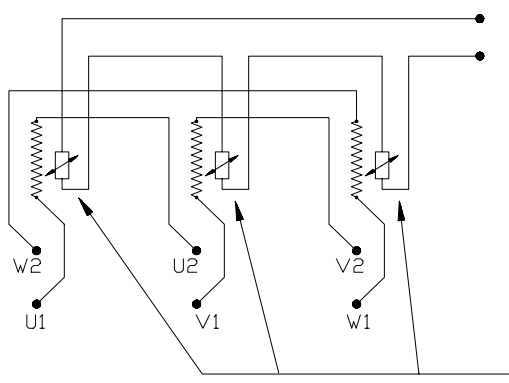
**1/2**



The devices in brackets are optional



**MOTORELECTRICAL DIAGRAM**



**Thermistors terminals (S)  
to be connected to the amplifier  
MAX VOLTAGE 2.5 V**

**PTC  
in the winding**