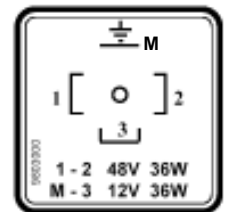


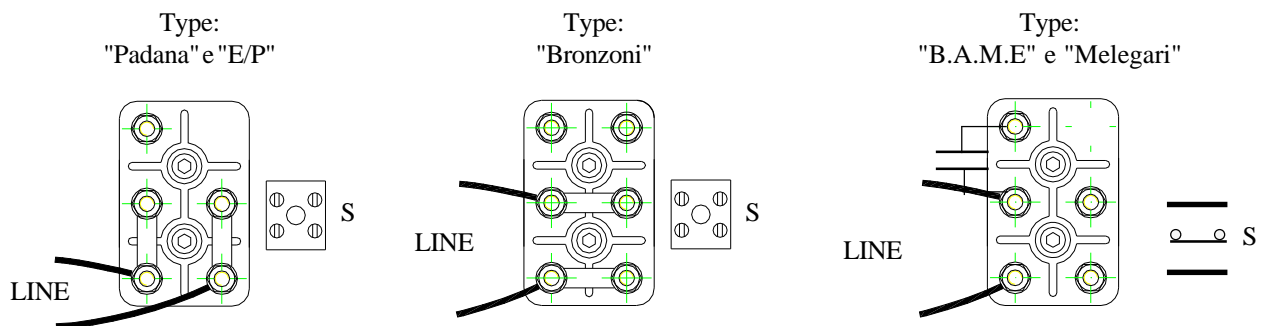
- 1a Downstroke coil 45W (direct connection to the solenoid valve)
- 1b Downstroke coil 48/12 V cc 36 W (direct connection to the solenoid valve) >>
- 6 High speed coil 45W (direct connection to the solenoid valve)
- M Terminal board
- (H) Oil heater resistance 70W
- (T) Oil termostat 70°C opening
- (S) NC metallic motorprotector



MOTOR CONNECTION

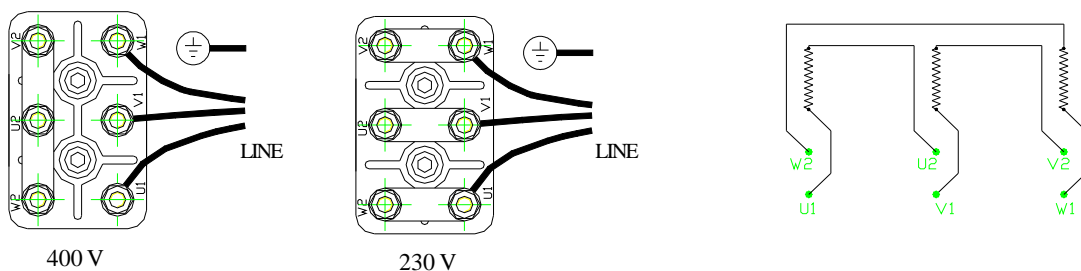
Connect the line input in accordance with the original motor terminal board configuration :

SINGLE PHASE



For other motors type to refer to the motor's enclosed instruction page.

THREE PHASE



ELECTRICAL CONNECTION
PUMP UNIT
96/E - 98/E - 01/E



Start Elevator

06 230 / G

rev. 5

1/1