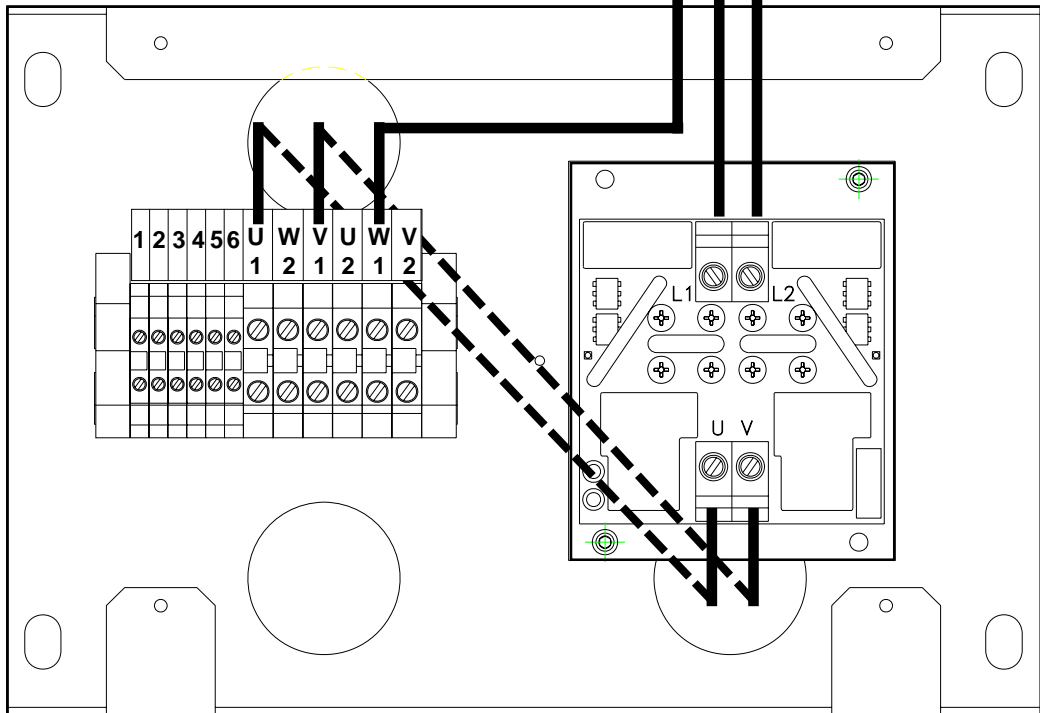


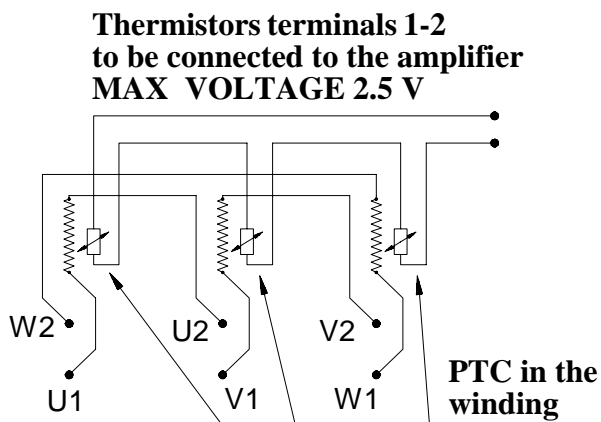
- 1-2 Motor protection thermistors
- 3-4 Oil thermostat 70°C opening
- 5-6 Oil heater resistance 500 W

LINE  
230,400 Vac (50-60 Hz)



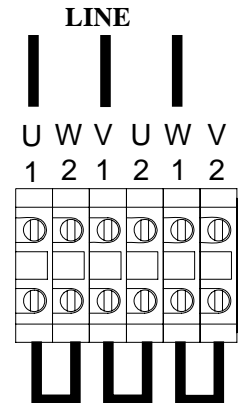
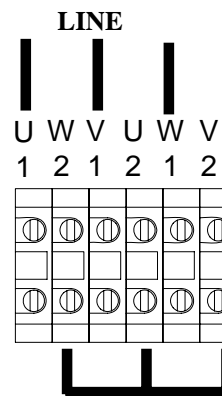
|                      |                                    |
|----------------------|------------------------------------|
| Nominal current      | 40 A                               |
| Max starting current | 100 A                              |
| Size                 | 11,3 Kw at 230 V<br>20 Kw at 400 V |
| Starting current     | 2 - 2,3 In                         |

MOTOR ELECTRICAL DIAGRAM



$\lambda$  CONNECTION

$\Delta$  CONNECTION



**ELECTRICAL CONNECTION PUMP UNIT  
WITH MOTOR ELECTRONIC STARTER  
DIGISTART 2DS10**



**Start Elevator**

08 300 / G

rev. 0

1/1