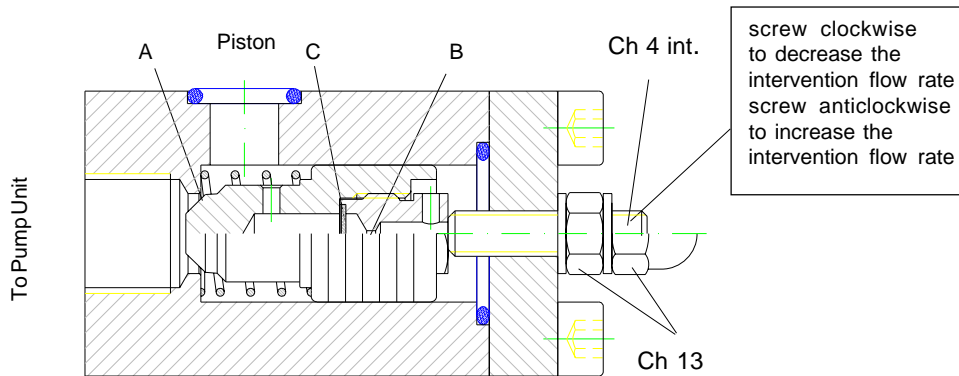
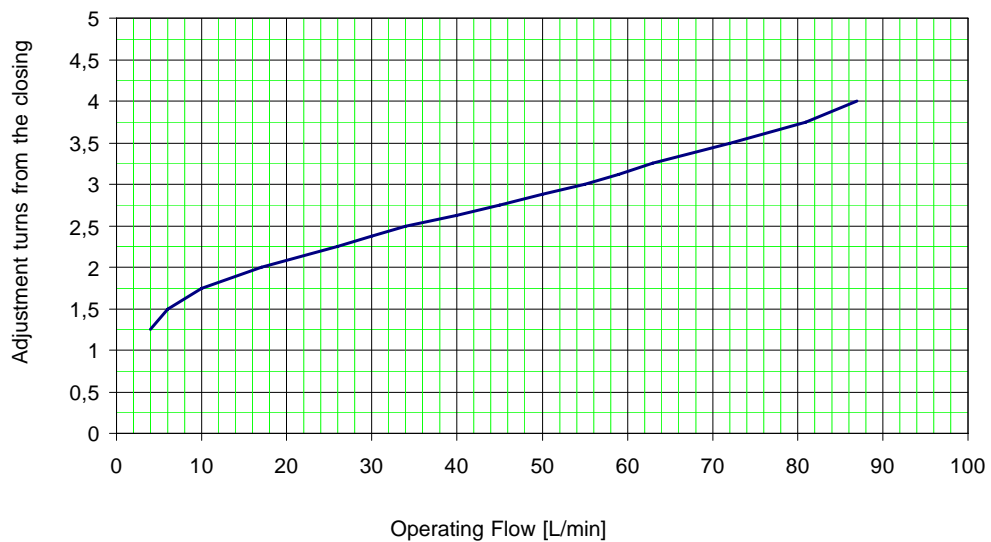
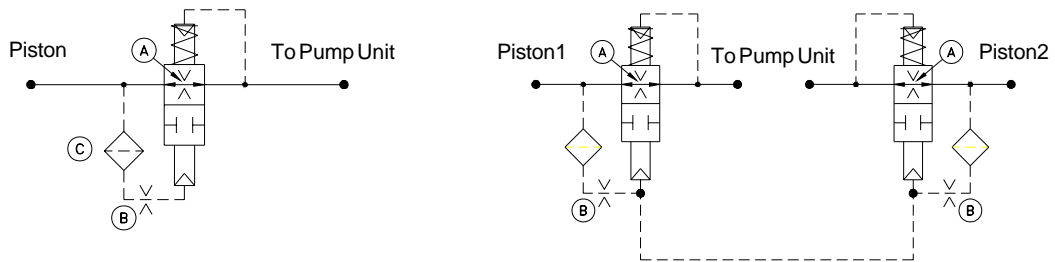


Type	Identification	Pipe Connection	Comp. Conenction	Nominal Flow L/min	Static Pressure bar	Oil Viscosity cSt
1/2"	03026 01	Gas 1/2"	/	min ÷ max 4 ÷ 70	min ÷ max 10 ÷ 80	min ÷ max 14 ÷ 290
	03026 02	Gas 1/2"	Gas 1/4 "			



- A - Operating flow adjusting section
- B - Section of control of closing speed
- C - Filter

Schematic Diagram 1 and 2 pistons



**SAFETY VALVE
ADJUSTING
TYPE 1/2" 03026 EN81**



Start Elevator

08 176 / G

rev. 0

1/2

Valve adjustment instructions

The following tables give instructions to adjust the block valves on the basis of the litres normally used in the pump unit.

If the nominal operating flow rate of the unit is not indicated in the table, see the diagram on sheet 1 to find the right adjustment for the best intervention flow rate.

Once acquainted with the value of the adjusting turns, turn anticlockwise the valve cap, loosen the lock nut and turn clockwise the adjusting screw to the closing valve limit.

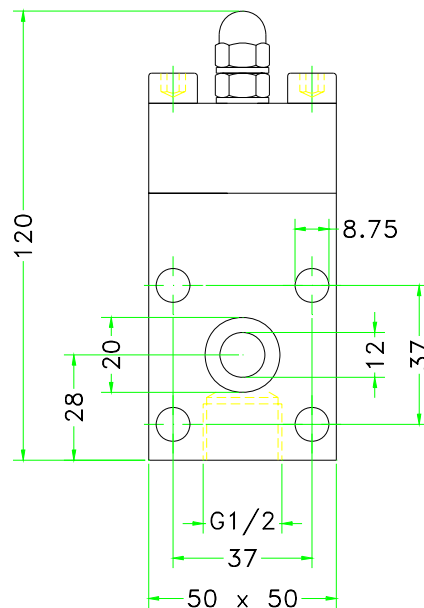
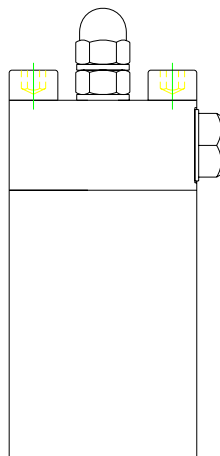
Then turn it anticlockwise to reach the adjusting value previously calculated.

Tighten the lock nut and turn the cap clockwise checking if there are oil leakages.

An intervention test is then recommended, following the instructions of the pump unit manufacturer.

VALVE ADJUSTMENT TABLE

Pump litres	Adjust.turns	L/min oper.	increase %
4	1 1/2	6	50
8	1 3/4	10	25
12	2	17	42
16	2 1/4	26	63
25	2 1/2	34	36
34	2 3/4	45	32
40	3	55	38
/	3 1/4	63	/
55	3 1/2	72	31
/	3 3/4	81	/
70	4	87	24



**SAFETY VALVE
ADJUSTING
TYPE 1/2" 03026 EN81**



Start Elevator

08 176 / G

rev. 0

2/2