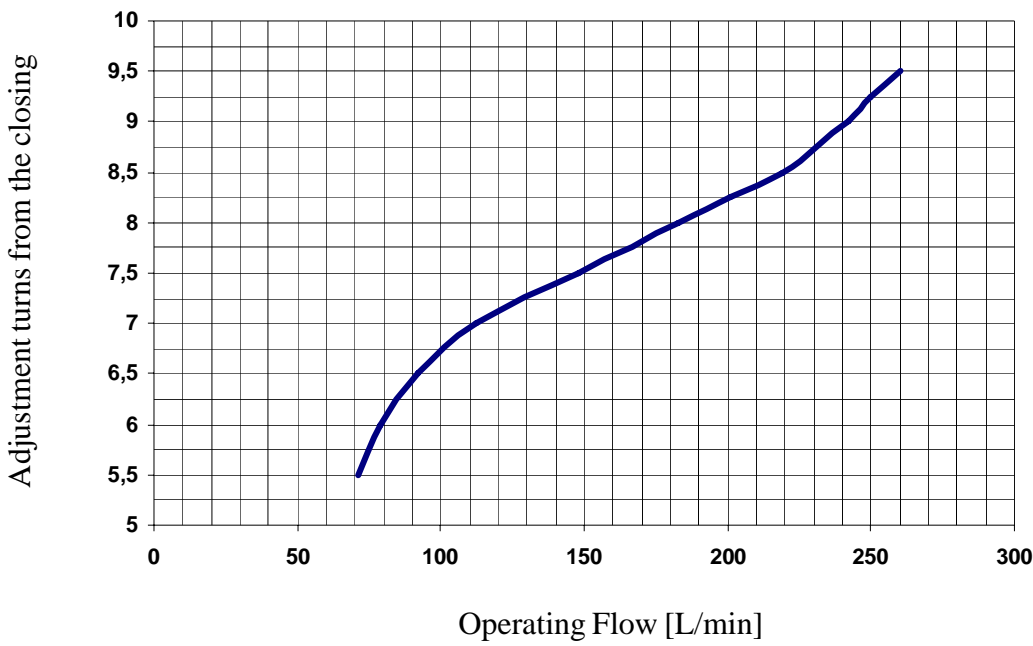
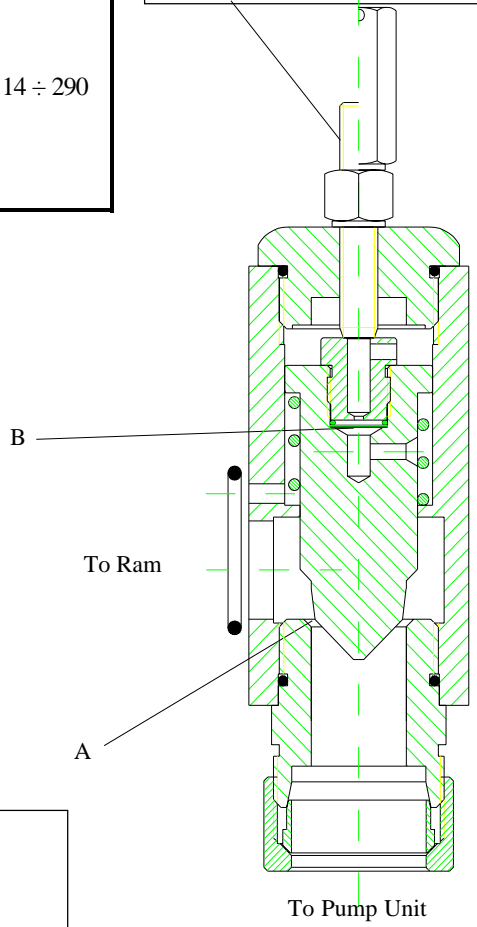
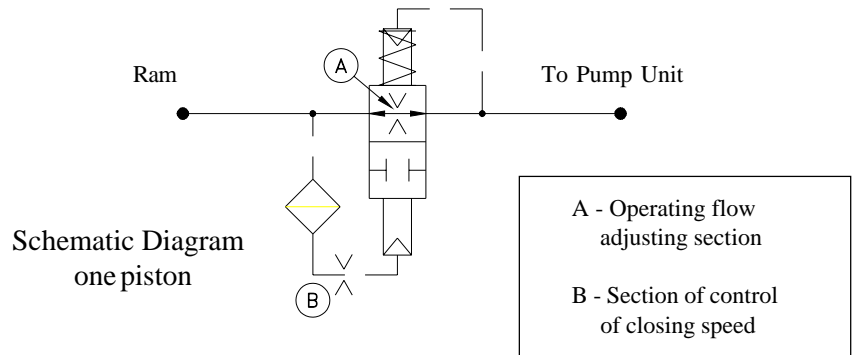
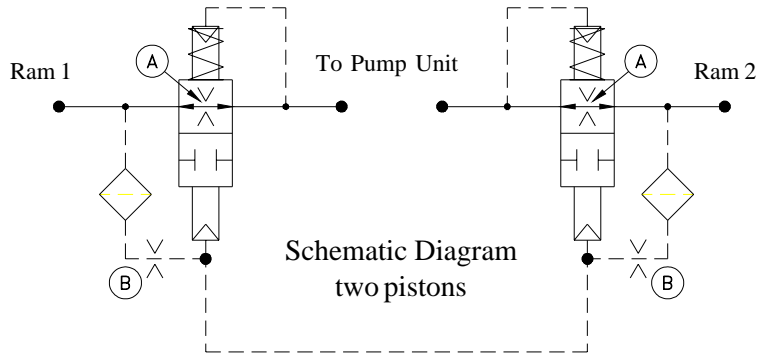


Valve Type	Identification	Pump Unit Connection	Nominal Flow L/min min ÷ max	Static Pressure bar min ÷ max	Oil Viscosity cSt min ÷ max
1" 1/4	04110 01	35 - M 45 x 2	50 ÷ 205	10 ÷ 51	14 ÷ 290
	04110 02	42 - M 52 x 2			
	04110 03	Gas 1" 1/4			
	04110 04	Gas 1"			
	04110 05	Gas 1" 1/2			

screw clockwise  
to decrease the intervention flow rate  
screw anticlockwise  
to increase the intervention flow rate



**SAFETY VALVE  
ADJUSTING  
TYPE 1" 1/4**



**Start Elevator**

08 174 / G

rev. 0

1/2

## Valve adjustment instructions

The following tables give instructions to adjust the block valves on the basis of the litres normally used in the pump unit.

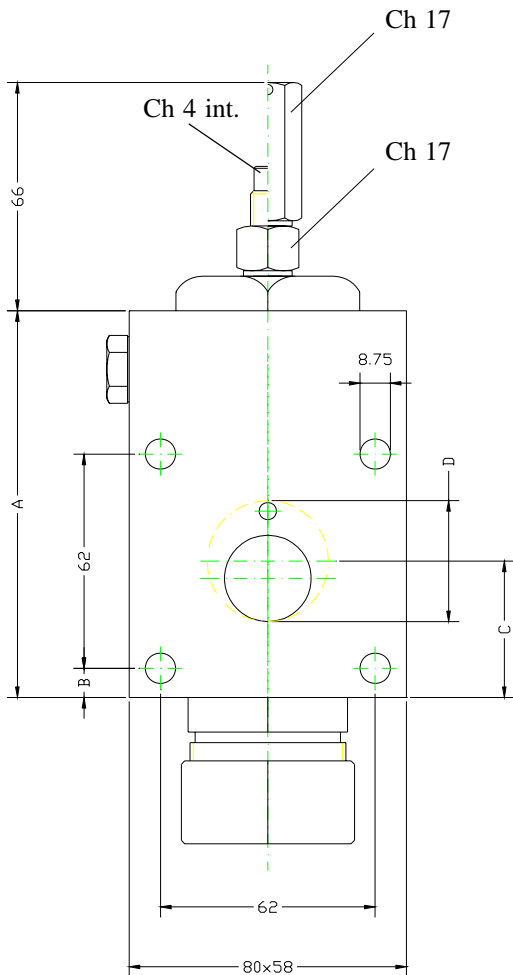
If the nominal operating flow rate of the unit is not indicated in the table, see the diagram on sheet 1 to find the right adjustment for the best intervention flow rate.

Once acquainted with the value of the adjusting turns, turn anticlockwise the valve cap, loosen the lock nut and turn clockwise the adjusting screw to the closing valve limit.

Then turn it anticlockwise to reach the adjusting value previously calculated.

Tighten the lock nut and turn the cap clockwise checking if there are oil leakages.

An intervention test is then recommended, following the instructions of the pump unit manufacturer.



**VALVE 1"1/4 ADJUSTMENTS TABLE**

Pump litres	Adjust.turns	L/min oper.	increase %
55	5 1/2	71	30
70	6 1/4	86	23
100	7 1/4	130	30
120	7 1/2	148	23
150	8	183	22
180	8 1/2	218	21
205	9 1/2	260	27

**DIMENSIONS TABLE [mm]**

VALVE TYPE	1"1/4
A	112
B	8,5
C	39,5
D	35

**SAFETY VALVE  
ADJUSTING  
TYPE 1"1/4**



**Start Elevator**

08 174 / G

rev. 0

2/2