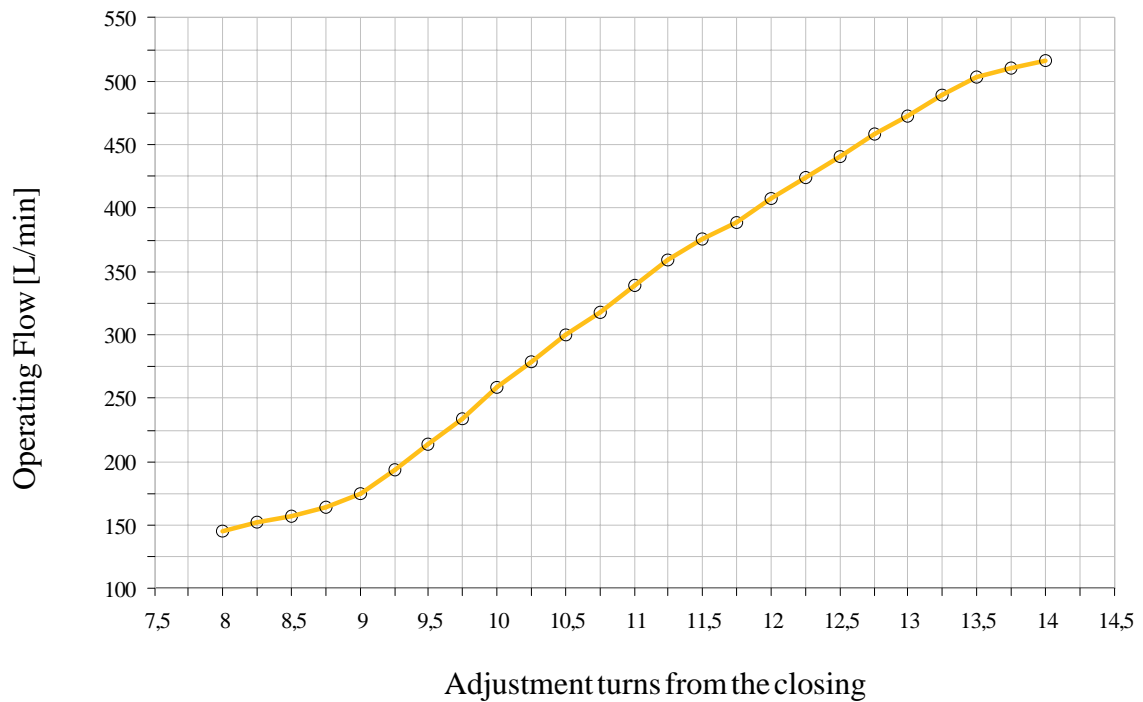
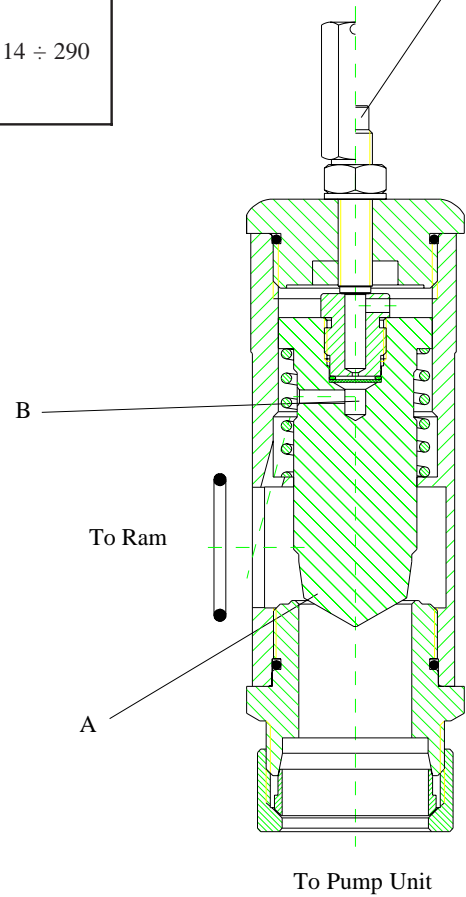
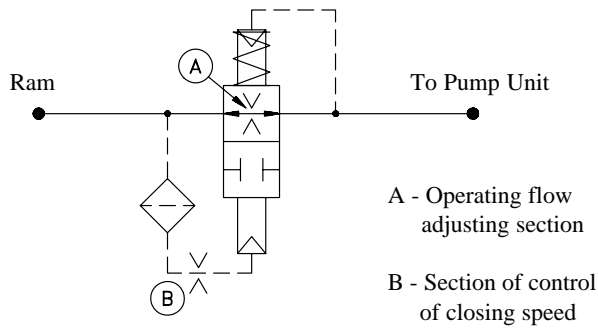


Valve Type	Identification	Pump Unit Connection	Nominal Flow L/min min ÷ max	Static Pressure bar min ÷ max	Oil Viscosity cSt min ÷ max
1"1/2	Cod. 04088 01	42 - M 52 x 2	120 ÷ 400	10 ÷ 50	14 ÷ 290
	Cod. 04088 02	Gas 1"1/2			
	Cod. 04088 03	Gas 2"			

screw clockwise
to decrease the intervention flow rate
screw anticlockwise
to increase the intervention flow rate

Schematic Diagram



**SAFETY VALVE
ADJUSTING
TYPE 1"1/2**



Start Elevator Srl

08 168 / G

rev. 0

1/2

Valve adjustment instructions

The following tables give instructions to adjust the block valves on the basis of the litres normally used in the pump unit.

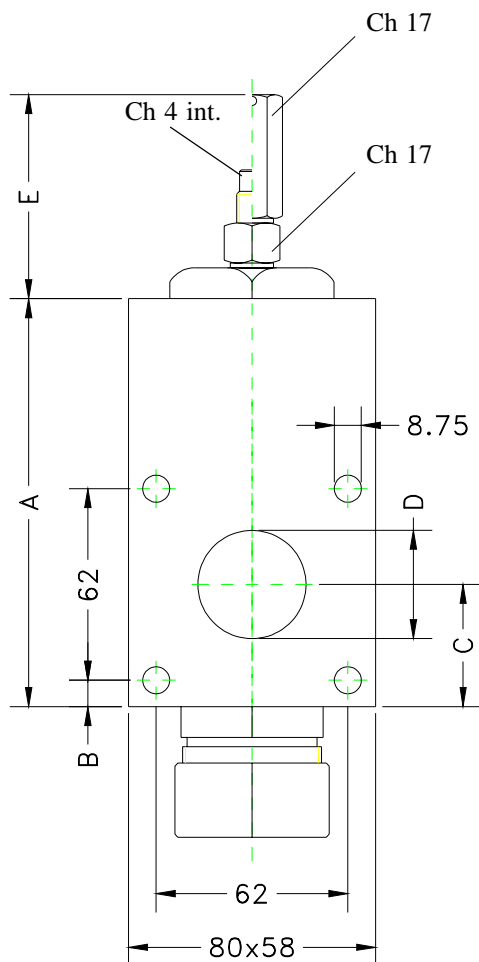
If the nominal operating flow rate of the unit is not indicated in the table, see the diagram on sheet 1 to find the right adjustment for the best intervention flow rate.

Once acquainted with the value of the adjusting turns, turn anticlockwise the valve cap, loosen the lock nut and turn clockwise the adjusting screw to the closing valve limit.

Then turn it anticlockwise to reach the adjusting value previously calculated.

Tighten the lock nut and turn the cap clockwise checking if there are oil leakages.

An intervention test is then recommended, following the instructions of the pump unit manufacturer.



VALVE 1"1/2 ADJUSTMENTS TABLE

Pump litres	Adjust.turns	L/min oper.	increase %
120	8 - 1/4	153	27
150	9 - 1/4	194	29
180	9 - 3/4	235	30
205	10	259	26
250	10 - 3/4	318	27
300	11 - 1/2	376	25
380	13	473	24
400	13 - 1/2	503	25

DIMENSIONS TABLE [mm]

TIPO VALVOLA	1"1/2
A	132
B	9,5
C	40,5
D	35
E	66

**SAFETY VALVE
ADJUSTING
TYPE 1"1/2**



Start Elevator Srl

08 168 / G

rev. 0

2/2